

S-BOX™ IS A GLOBALLY PATENTED POP-UP PRODUCT FOR DELIVERY OF CONVENIENT SOCKETS FOR **PORTABLE APPLIANCES*** IN THE HOME AND OFFICE.



UK 2024.1

It is supplied with a pre-prepared cable tail for either:

1. Receiving a 3-Pin plug for insertion into a local socket outlet, or
2. Direct connection into the mains circuit.

***SEE DEVICE LIST
(on page 2)**

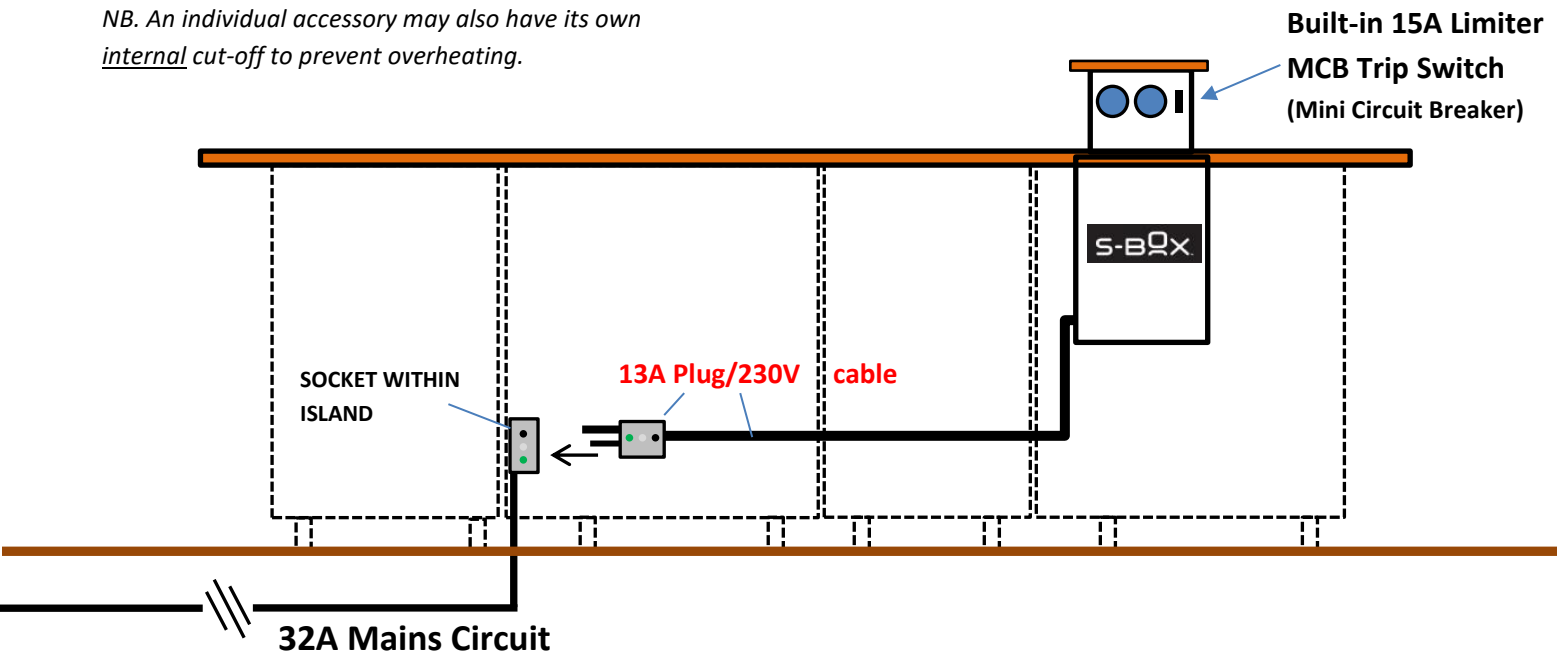


Option 1 - 3-pin plug

This method is the simplest and treats the S-Box™ unit as a form of 'extension'. Its power INPUT is first governed by the 13A fuse in the plug and therefore provides 3000 Watts of power ($230\text{v} \times 13\text{A} = 3000\text{W}$). Sometimes a 13A fuse will allow more than this to pass through it before it blows, but to prevent overload and protect countertop devices the S-Box™ is fitted with a 15A MCB. This limits the total power to 3,450 Watts. ($15\text{A} \times 230\text{v} = 3,450\text{W}$).

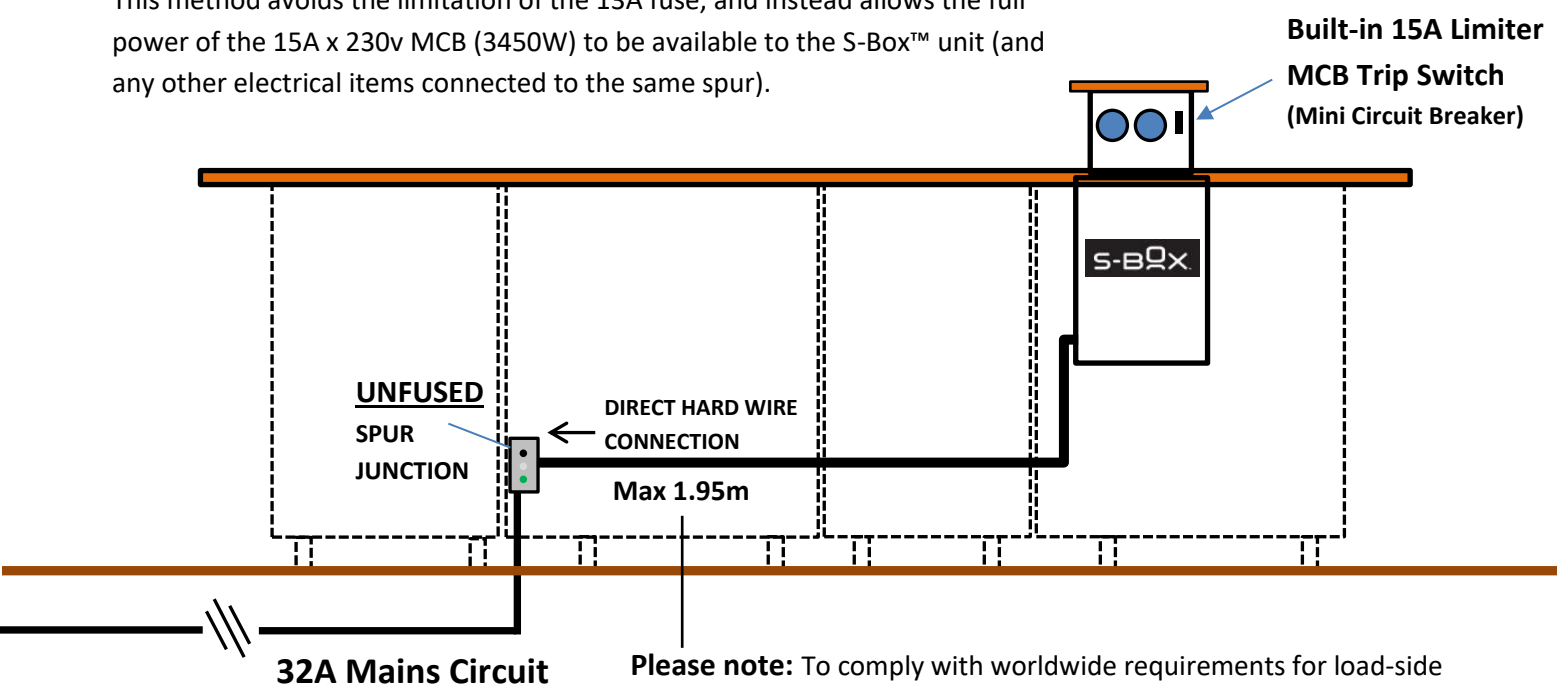
This is the maximum total output power, but the 13A fuse may also expire before that point is reached.

NB. An individual accessory may also have its own internal cut-off to prevent overheating.



Option 2 - Hardwire

This method avoids the limitation of the 13A fuse, and instead allows the full power of the 15A x 230v MCB (3450W) to be available to the S-Box™ unit (and any other electrical items connected to the same spur).



Please note: To comply with worldwide requirements for load-side protection and change of cable core size (32A 2.5mm² building wiring changing to 1.5mm² SBOX cable) the cable length from the S-BOX™ to the open end of an unplugged cable (Option 2), **must be less than 2 metres.**

POWER REQUIREMENTS OF TYPICAL DOMESTIC ACCESSORIES

This guide provides examples of Countertop Devices that might be used in a domestic UK kitchen.

This list is not exhaustive, but all of them are heat-generating items and therefore the most power-hungry ones!

The safety trip switch (MCB) will tell you if you are trying to draw too much power at the same time.

Please also check any individual accessory itself is working correctly should any power be interrupted.

TOASTERS	EXAMPLE MODEL	WATTS
BREVILLE	VTT974 Obliq	2100
SMEG	TSF03BLUK	2000
RUSSELL HOBBS	Retro 21692	2400
DUALIT	49552 Vario4	2200

IRONS	EXAMPLE MODEL	WATTS
PHILIPS	A2VR8000 DST8070	3000
BREVILLE	VIN 401	3100
BRAUN	TexStyle9519281	3100
TEFAL	FV6551 Cordless	2400
RUSSELL HOBBS	32060 Steam Iron	2400

ELECTRIC KETTLES	EXAMPLE MODEL	WATTS
DELONGHI	17 MODELS (out of 17)	3000
RUSSELL HOBBS	14 MODELS (out of 15)	3000
BREVILLE	13 MODELS (out of 14)	3000
SMEG	11 MODELS (out of 15)	3000
LOGIK	11 MODELS (out of 12)	3000
KENWOOD	7 MODELS (out of 7)	3000
BOSCH	6 MODELS (out of 6)	3000
TEFAL	4 MODELS (out of 5)	3000
MORPHY RICHARDS	4 MODELS (out of 4)	3000
BEKO	2 MODELS (out of 2)	3000

AIR FRYER	EXAMPLE MODEL	WATTS
NINJA	AF 300UK	2470
TOWER	VORTX VIZION	2400
TEFAL	Easy Fry Dual Zone	2700
SALTER	Dual View XL	2600
LOGIK	L72AFB23	2850

Technology devices use MUCH less power and can use USB-C (or USB-A) for power, instead of their plug adapter and cable, for charging. Please choose what power level USB is required when ordering or instructing your Designer.

DEVICE	WATTS
SMART WATCH	5
SMART PHONE	18-27
TABLET	18-30
LAPTOP	29-100

